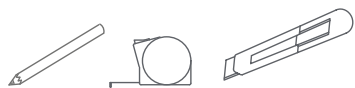


PS 1817 S - Perimeter seal

FITTING INSTRUCTION

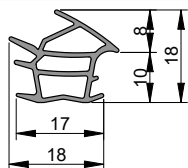


TOOLS REQUIRED

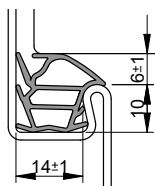
- / pencil or marker
- / tape measure
- / cutter

VALID FOR:

PS 1817 S

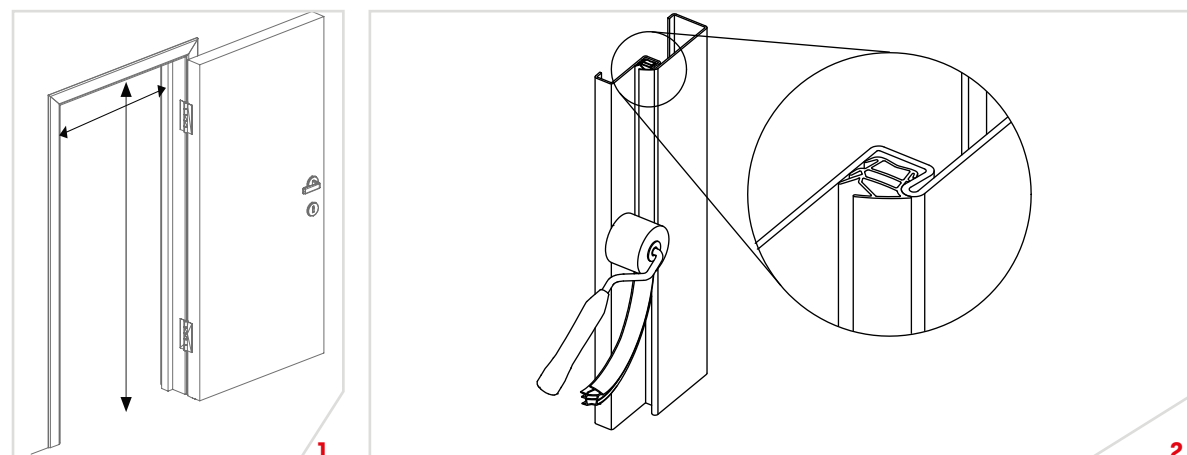


RECOMMENDED INSTALLATION DIMENSION:



Optional: smaller closing gaps can be obtained by pressing the seal deeper into the groove. This requires a groove depth greater than 10mm.

INSTRUCTIONS:



1 To be fitted with the door fully opened. Measure the height and width of the door frame and cut the seal to the appropriate length.

2 Place the gasket in the groove at the top corner of the frame with the right alignment. Push the gasket into place from top to bottom. Using a roller gives the most even and neatest results. Make sure that the gasket is not stretched during this process.

3 Repeat on the other side and at the top of the frame.

4 Close the door and check for a uniform seal around the door.

NOTE:

/ ensure that the groove in which the gasket is being fitted is dust-free, clean and dry

/ product is not to be stretched

/ Make sure the fitting of the perimeter seal does not obstruct the function of the door. It is recommended to regularly check that the door opens and closes frictionlessly.

/ The closing forces can be reduced by pressing the gasket deeper into the groove. The prerequisite for this is that the groove is deep enough and the gasket does not already rest on the groove base